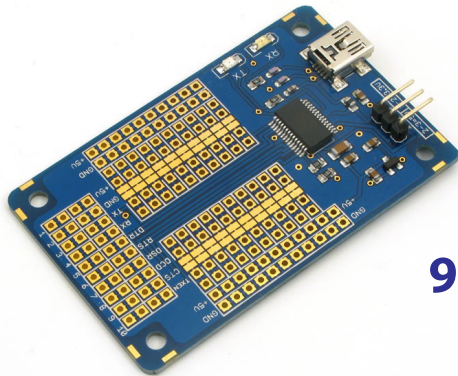


1000Pads-Mini USB2Serial Board V1.0

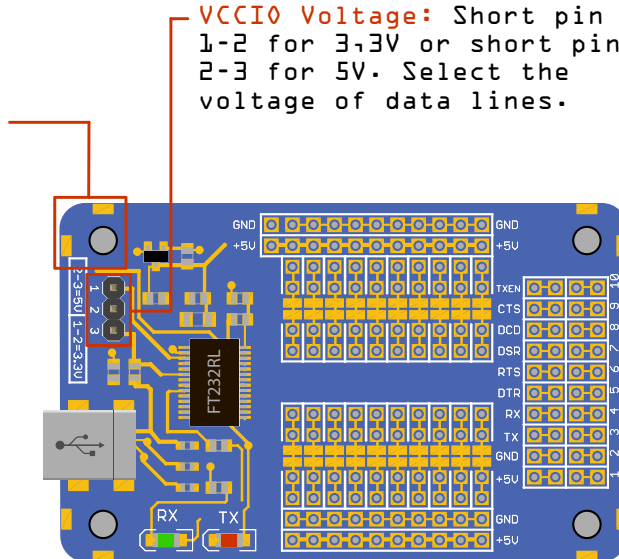


990.103

This is a very useful board for USB to TTL Serial conversion. Based on the popular and powerful FTDI FT232 chip, you can find drivers for all of the most common Operative Systems. The module works on 5.0V and 3.3V systems. All the serial signal pins are available, a useful TX Enable pin is available for RS485 or similar networks. Two useful LEDs allow constant monitoring of the TX and RX signals, useful for fast troubleshooting. The USB2Serial Board is compatible with the 1000Pads Mini System. The pads pitch is standard 2,54mm - The mounting holes are 3.2mm diameter. Dimensions: 43 x 68mm.

Perimetral Pads: Use this pads to attach two or more 1000Pads Boards side-by-side. Just put a dab of solder to "weld" the boards.

VCCIO Voltage: Short pin 1-2 for 3.3V or short pin 2-3 for 5V. Select the voltage of data lines.



The picture shows actual pads connections.

Sample applications:

